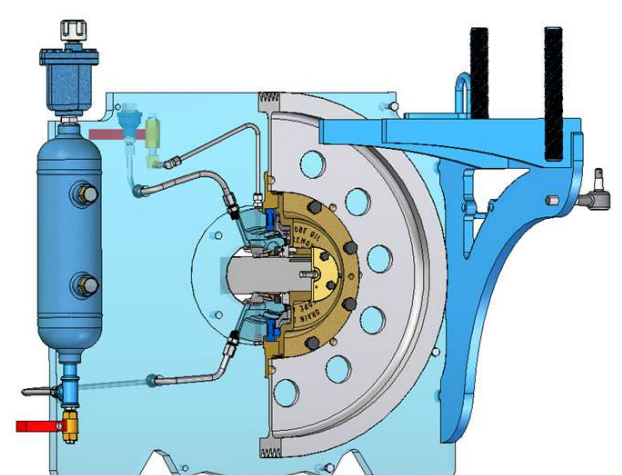
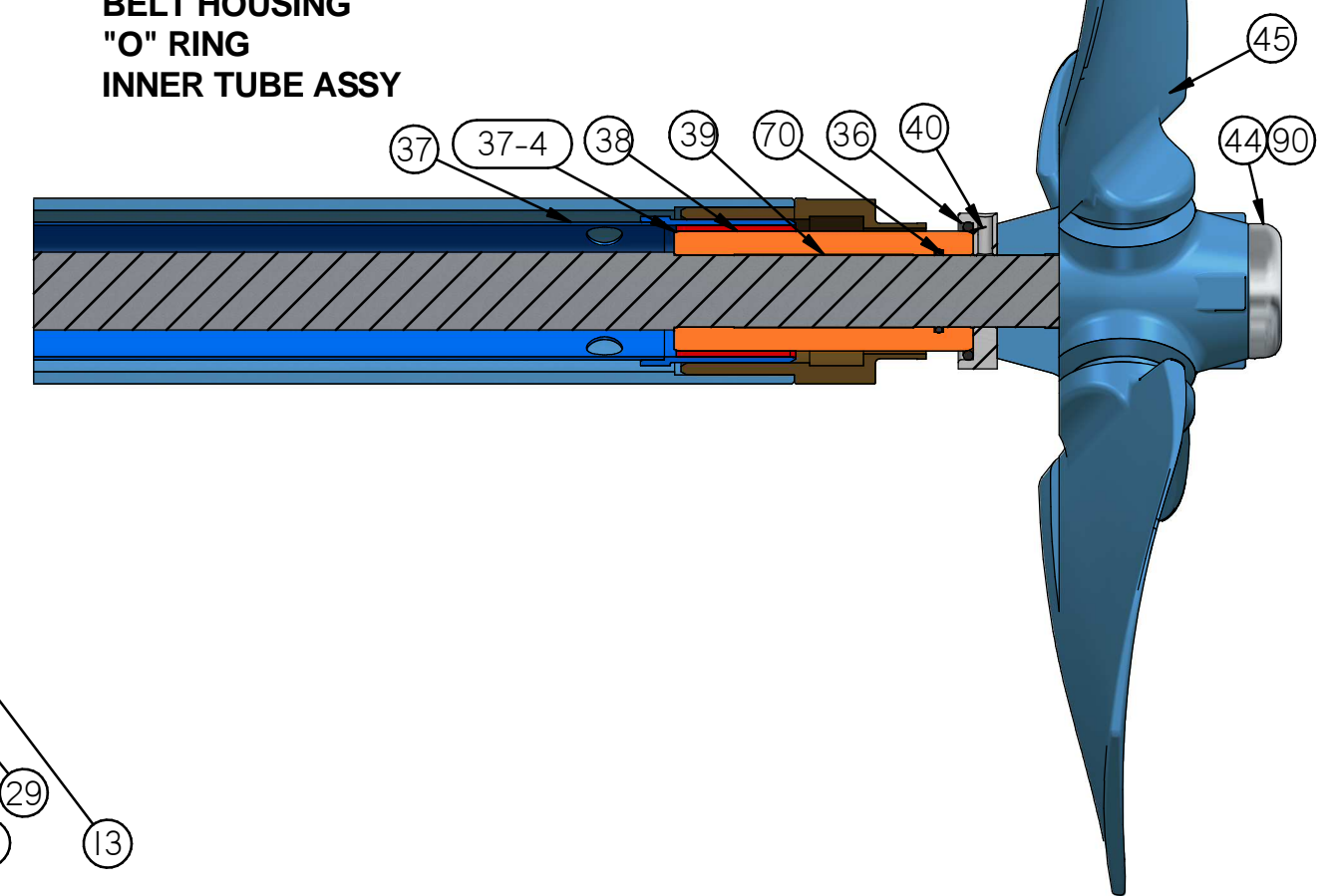


ITEM #	PART NAME	ITEM #	PART NAME
6	MOTOR BASE PLATE	37-4	TC-BUSHING
8	ADAPTER ASSEMBLY	38	SLEEVE
8-3	MALE END BUSHING	39	SHAFT
9	MECHANICAL SEAL	40	LOCK RING
10	YOKE ASSEMBLY	42	KEY
11	KEY	43	CAPSCREW
13	"O" RING	44	SHAFT LOCK WASHER
14	YOKE COVER	45	PROPELLER
16	"O" RING	70	"O" RING
17	RETAINER RING	90	CAPSCREW
19	COVER	91	OIL SEAL SENTRY SYSTEM
20	DRIVER PULLEY	93	SIGHT TUBE
21	BELT	94	SEAL DRIVE RING
24	DRIVEN PULLEY	95	BEARING LOCK WASHER
28	BODY	96	BEARING SPACER
29	"O" RING	97	SENTRY SYSTEM
30	MAIN BEARING		
31	PULLEY HUB		
34	BELT HOUSING		
36	"O" RING		
37	INNER TUBE ASSY		



SEE S16BS FOR REFERENCE

Jensen Mixers International, Inc.
 P.O. BOX 470368 TULSA, OKLAHOMA 74147

PROPRIETARY AND CONFIDENTIAL THE INFORMATION CONTAINED IN THIS DRAWING IS THE SOLE PROPERTY OF JENSEN MIXERS INTERNATIONAL INC. REPRODUCTION IN PART OR AS A WHOLE WITHOUT THE PERMISSION OF JENSEN MIXERS IS PROHIBITED.	TITLE: 480/450 FA ASSY		
	SHT. OF	DRAWING NO: S12L	