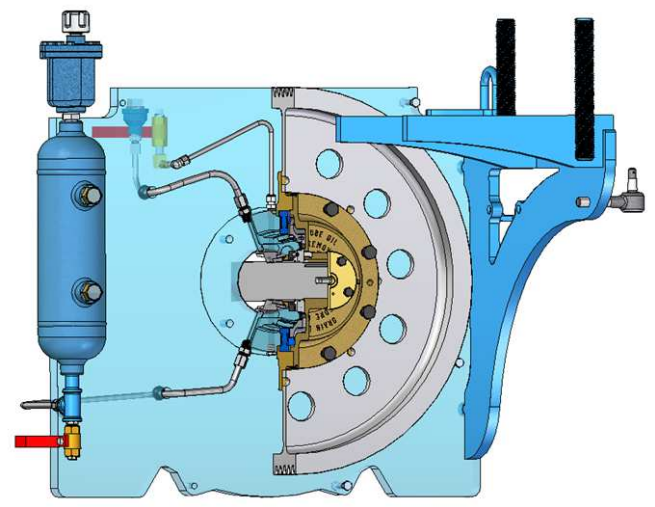
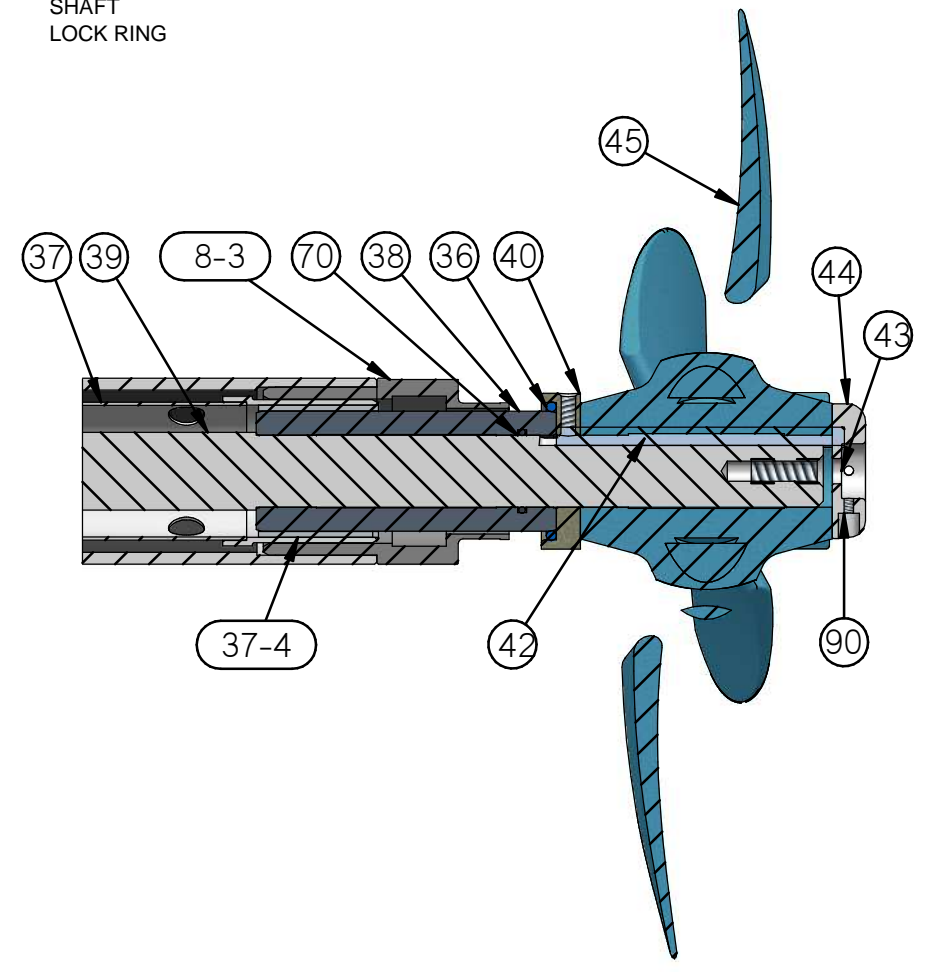


ITEM #	PART NAME	ITEM #	PART NAME
6	MOTOR BASE PLATE	42	KEY
8	ADAPTER ASSEMBLY	43	CAPSCREW
8-3	MALE END BUSHING	44	WASHER
9	MECHANICAL SEAL	45	PROPELLER
10	YOKE ASSEMBLY	51	PACKING RINGS
11	KEY	52	GLAND
13	"O" RING	53	CAPSCREW
14	YOKE COVER	54	HINGE PIN INTERLOCKING
16	"O" RING	57	NUT
17	RETAINER RING	70	"O" RING
19	COVER	80	FERRULE SEAL
20	DRIVER PULLEY	90	CAPSCREW
21	BELT	91	OIL SEAL SENTRY SYSTEM
24	DRIVEN PULLEY	92	FLEX BOOT ASSEMBLY
28	BODY	93	SIGHT TUBE
29	"O" RING	94	SEAL DRIVE RING
30	MAIN BEARING	95	BEARING LOCK WASHER
31	PULLEY HUB	96	BEARING SPACER
34	BELT HOUSING	97	SENTRY TANK AND ASSY
36	"O" RING		
37	INNER TUBE ASSY		
37 - 4	TC - BUSHING		
38	SLEEVE		
39	SHAFT		
40	LOCK RING		



SEE S16BS FOR REFERENCE

Jensen Mixers International, Inc.
 P.O. BOX 470368 TULSA, OKLAHOMA 74147

PROPRIETARY AND CONFIDENTIAL THE INFORMATION CONTAINED IN THIS DRAWING IS THE SOLE PROPERTY OF JENSEN MIXERS INTERNATIONAL INC. REPRODUCTION IN PART OR AS A WHOLE WITHOUT THE PERMISSION OF JENSEN MIXERS IS PROHIBITED.	TITLE: 480/450 VA ASSY			
	SHT. 1 OF 1	DRAWING NO: S12M	REV. DATE: 12-23-16	REV.: 8